

2MP WDR (Motorized)VF Eyeball Network IR Camera

IPC3632ER3-DPZ28-C



Key Features

Optics

- Day/night functionality
- Optical glass window with higher light transmittance
- IR anti-reflection window to increase the infrared transmittance
- Smart IR, up to 30 m (98 ft) IR distance
- 3D DNR (Digital Noise Reduction)

Compression

- H.265, H.264, MJPEG
- Embedded smart algorithm
- Triple streams
- 9:16 corridor mode

Network

- ONVIF Conformance

Structure

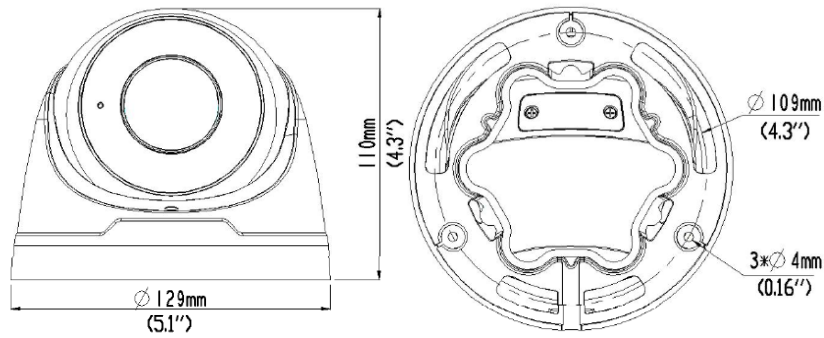
- Support PoE power supply
- Wide temperature range: -40°C to 60°C (-40°F to 140°F)
- Wide voltage range of $\pm 25\%$
- IP67

Specifications

	IPC3632ER3-DPZ28-C
Camera	
Sensor	1/2.7", 2megapixel, progressive scan, CMOS
Lens	2.7~12mm@F1.4
Angle of view(H)	98.0°~30.0°
Zoom/Focus	Motor drive
Shutter	Auto/Manual, 1/6~1/100000 s
Min. Illumination	Colour: 0.02 Lux (F1.4, AGC ON) 0 Lux with IR
IR Range	Up to 30m (98 ft) IR range
Day/Night	IR-cut filter with auto switch (ICR)
S/N	>52dB
WDR	120dB
Noise Reduction	2D/3D
Video	
Max. Resolution	1920×1080
Video Compression	H.265, H.264, MJPEG
Frame Rate	1080P (1920×1080): Max. 30 fps; 720P (1280×720): Max. 30 fps; D1 (720×576): Max.8 fps
Video Streaming	Triple
9:16 Corridor Format	Supported
ROI	Supported
Evaluative Metering	Supported
OSD	Up to 8 OSDs
Privacy Mask	Up to 8 areas
Smart	
Behavior Detection	Intrusion, crossing line, motion detection
Intelligent Identification	Face detection, Defocus, Scene Change
Statistical Analysis	People counting
Storage	
Edge Storage	Micro SD, up to 128 GB
Network	
Protocols	L2TP, IPv4, IGMP, ICMP, ARP, TCP, UDP, DHCP, PPPoE, RTP, RTSP, RTCP, DNS, DDNS, NTP, FTP, UPnP, HTTP, HTTPS, SMTP, 802.1x
Compatible Integration	ONVIF,API
Interface	
Built-in Mic	Supported
Network	10M/100M Base-TX Ethernet
General	
Power	12 V DC, or PoE (IEEE802.3 af)
	Power consumption: Max 8.16W
Dimensions (Ø x H)	Ø129 x 110 mm (Ø5.08" x 4.3")
Weight	0.67 kg (1.48lb)

Working Environment	-40°C ~ +60°C (-40°F ~ 140°F), Humidity ≤ 95% RH(non-condensing)
Ingress Protection	IP67

Dimensions



Zhejiang Uniview Technologies Co., Ltd.

South Tower, Building 10, Wanlun Science Park, 88 Jiangling Road, Hangzhou, P.R.China 310051

Email: overseasbusiness@uniview.com; globalsupport@uniview.com

<http://www.uniview.com>

©2016-2017 Zhejiang Uniview Technologies Co., Ltd. All rights reserved.

*Product specifications and availability are subject to change without notice.